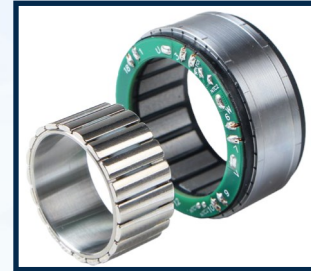
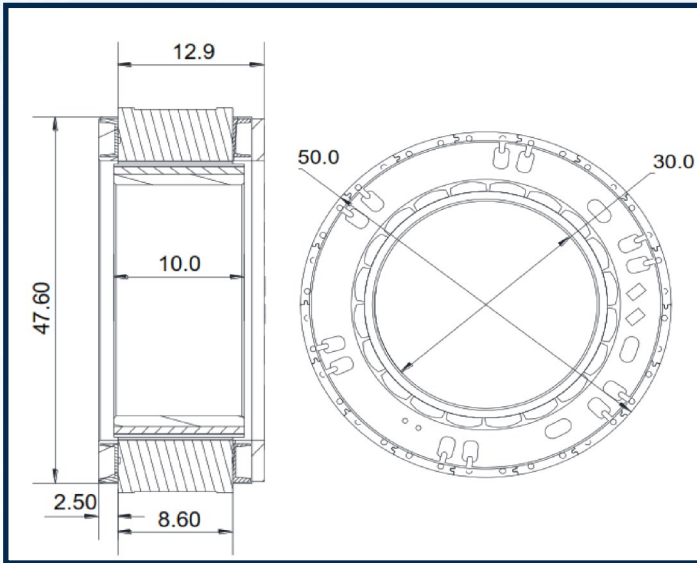


50MM FRAMELESS MOTOR



P/N: MTR-2523-S000

MECHANICAL SPECIFICATIONS:

Total weight: 105g

Winding type: Star connection

Number of poles: 20

ELECTRICAL SPECIFICATIONS:

Insulation resistance: 100M Ω /500VDC

Dielectric strength: 1000VAC/1S/2mA

Insulation class: B

MOTOR SPECIFICATIONS:

Rated voltage: 48

Rated power: 157W

Number of phase: 3

Rated torque: 0.3N.m

Peak torque: 0.96N.m

Torque constant: 0.089 Nm/Arms

Rated speed: 5000 RPM

Max. speed: 6200

Back EMF: 5.4 Vrms/KRPM

Options & information:

Wiring: UL1332 AWG20 & AWG22

A version of 0.5Nm rated torque is available.