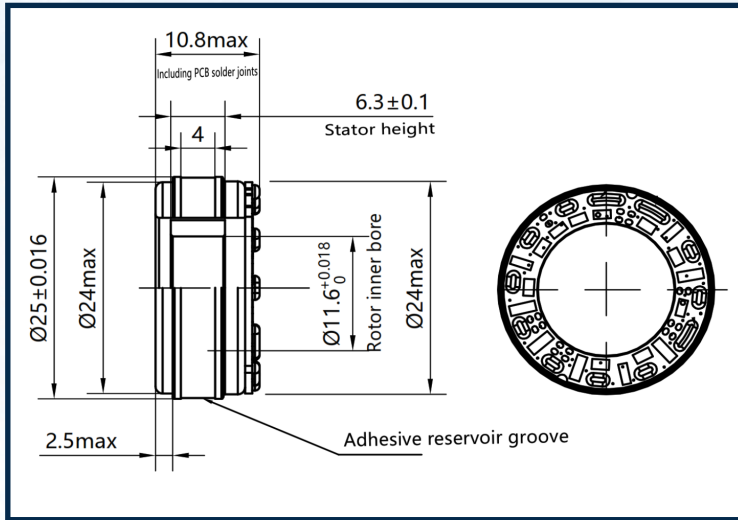


25MM FRAMELESS MOTOR



P/N: MTI-3556-S000

MECHANICAL SPECIFICATIONS:

Total weight: 25g
Cable size: AWG24
Number of poles: 14

ELECTRICAL SPECIFICATIONS:

Insulation resistance: ≥50MΩ/500VDC
Dielectric strength: 660VAC/1S/5mA
Rated power: 63W

MOTOR SPECIFICATIONS:

Rated voltage: 24
Rated torque: 0.032N.m
Max. torque: 0.064N.m
Torque coefficient: 0.012 Nm/Arms
Voltage constant: 0.75 V/kRPM
Rotor inertia: 0.0015 10⁻⁴kg.m²
Rated speed: 18,875 rpm
Max. speed: 22650 rpm
Rotation: CCW

Options & information:

3 assembled wires UL3266 AWG24.