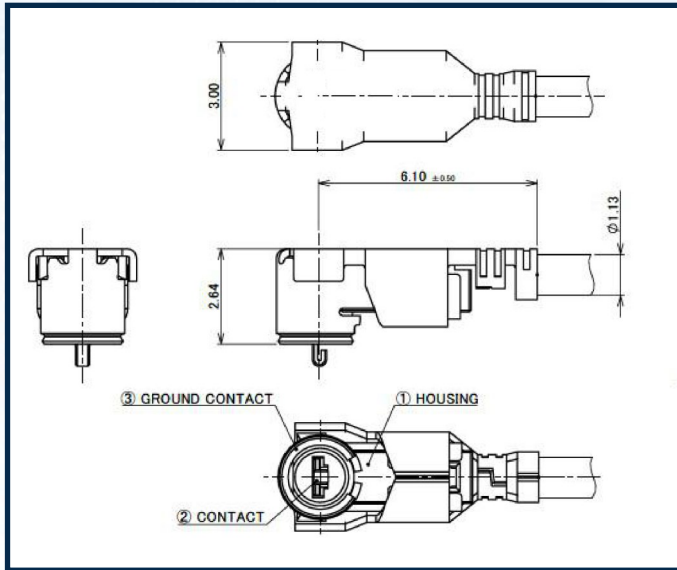


MICRO COAXIAL PLUG

P/N: CMO-1421-S000
MECHANICAL SPECIFICATIONS:

Coaxial cable: AWG32.
 Disconnecting force: 3-5N.
 Mated height: 3.77mm.
 Durability: : 30 cycles.

ENVIRONMENT SPECIFICATIONS:

Operating temperature: -40°C / +85°C .
 Operating humidity: 90% Max.

ELECTRICAL SPECIFICATIONS:

Frequency rating: 9Ghz.
 impedance: 50 Ohm.
 SVWR: 2 (max) for 6-9 Ghz.
 Main contact resistance: 100m Ohm.

MATERIALS:

Ground contact: phosphor bronze, Au over Ni plated
 contact: phosphor bronze, Au over Ni plated .
 Housing: LCP, ULT9V-0.

Options & information:

Applicable standards: Bluetooth, GPS, LPWA, 5G, WIFI.
 Disconnected tool is available.