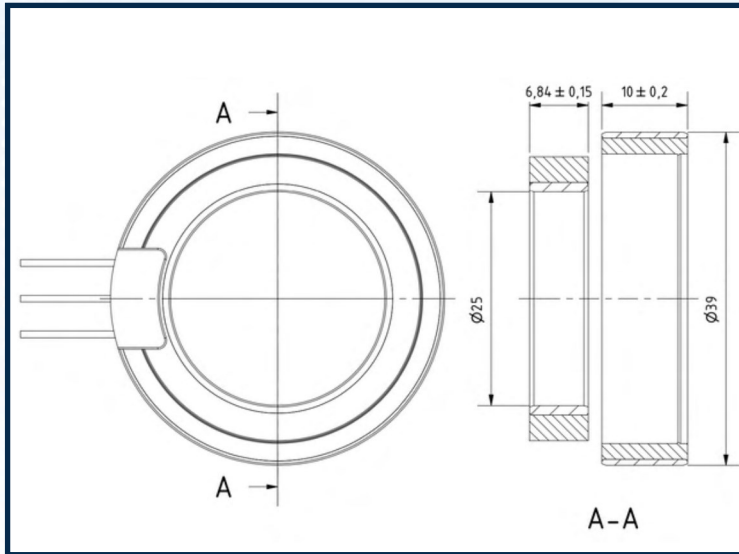


39MM FRAMELESS MOTOR



P/N: MTB-2744-S000

MECHANICAL SPECIFICATIONS:

Total weight: 27.5g

Cable size: AWG26

Number of poles: 26

MOTOR SPECIFICATIONS:

Rated voltage: 72

Max. continues current: 4.99 Arms

Voltage constant: 0.99 V/kRPM

Continues torque: 0.053N.m

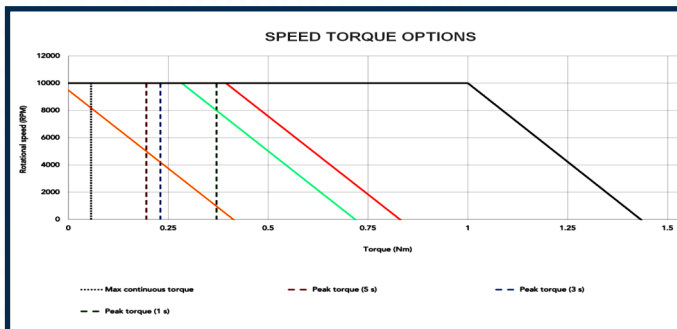
Max. torque: 0.31N.m

Torque constant: 0.012 Nm/Arms

Cogging torque: 0

Rotor inertia: 33.9 gcm²

Environmental temp.: -40/+80°C



Options & information:

3 assembled wires 500mm length, AWG26.